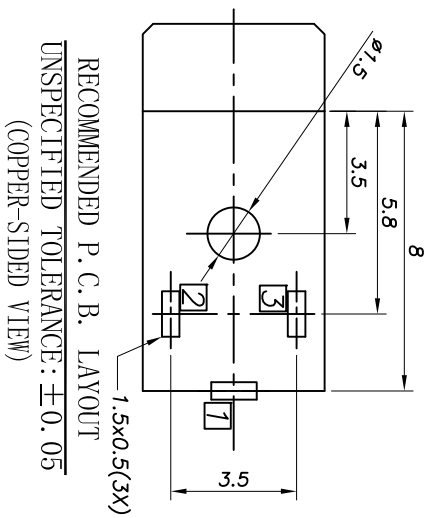
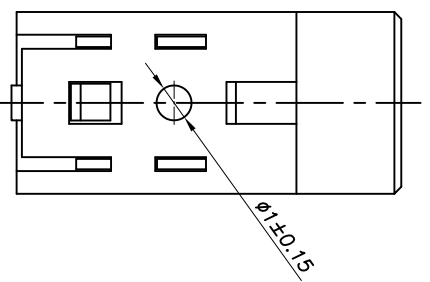
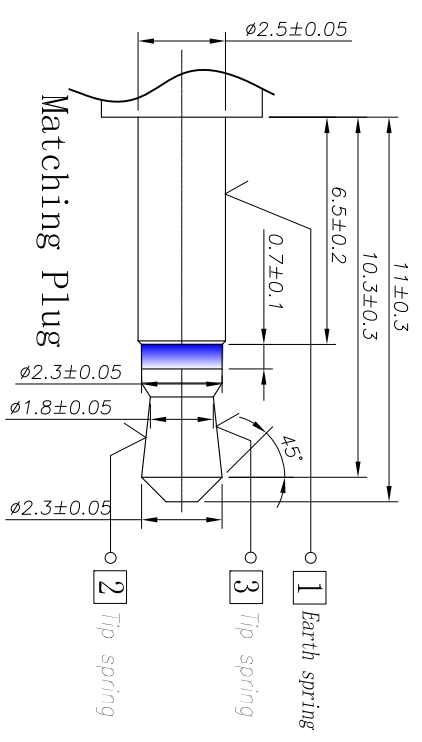
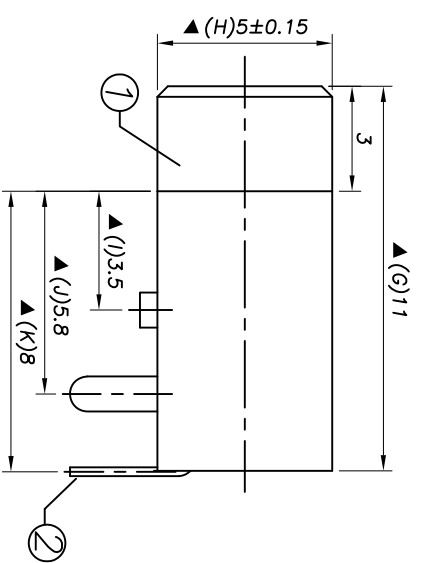
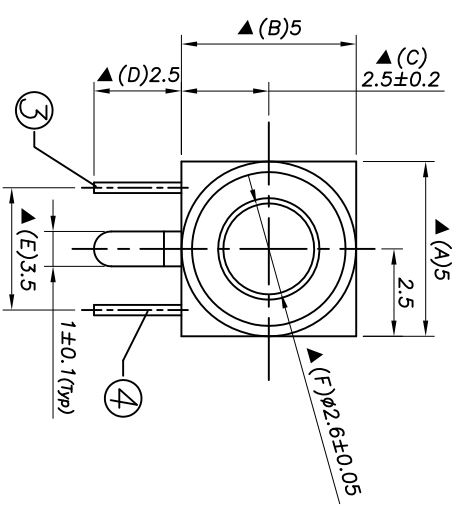


REV. LTR.	DESCRIPTION	SIGN	DATE
Δ X1	Change material of the housing	Zhuhong	2009/4/16



Model NO.	PJ20110-Y
Schematic	

□ : TERMINAL NO.

- Specification:
1. Rating : DC 30V 0.5A ;
 2. Contact resistance : $\leq 30m\Omega$;
After test: $\leq 50m\Omega$
 3. Insulation resistance : $\geq 100M\Omega$ (500VDC) ;
After test: $\geq 50M\Omega$
 4. Withstanding voltage : 500VAC ;
 5. Insertion and extraction force : 3N~25N ;
 6. life test : 5000cycles min ;
 7. Operation temperature range:-20°C~70°C
 8. Preservative temperature range:-40°C~85°C
 9. Sign "Δ" is importance dimension

NO.	DESCRIPTION	QTY	MATERIAL	PART NO.	REMARK
④	Tip spring-2	1	Phosphor bronze t0.3	PJ20100-04(4A~JK0015)	Tin plating
③	Tip spring-1	1	Phosphor bronze t0.3	PJ20100-02(4A~JK0017)	Tin plating
②	Earth spring	1	Phosphor bronze t0.3	PJ20100-01(4A~JK0016)	Tin plating
①	Housing	1	PA66,UL 94HB Δ	PJ20110-S1(ST~JK0011)	Black

UNIT:MM	TYPE:	MODEL NO:	PAPER NO: A4	PAGE 1 OF 1
	φ2.5 PHONE JACK	PJ20110-Y	TOLERANCE ANGLES	SCALE
DESIGNER BY:	PD X 2011.04.27		±0.3	±2°
CHECK BY:			FULL	VER
APPROVED BY:				6

丞永實業有限公司
BLUE SOURCES ELECTRONICS CO.,LTD.